

ZG-dSVG



V1.2

&\$% \$%

N ! XGJ;

N ! XGJ;

N ! XGJ;

| | | |
|------|-------|----|
| % | | % |
| % % | | % |
| & | | (|
| &" % | | (|
| &" & | | (|
| &"' | |) |
| &" (| | * |
| ' | | + |
| ' "% | | + |
| ' "& | | %" |
| (| | %" |
| (" % | | %" |
| (" & | | %" |
| ("' | | %" |
|) | | %" |
|)" % | | %" |
|)" & | | %" |
|)"' | | %" |
|)" (| | %" |
| * | | %" |
| *" % | | %" |
| *" & | | %" |
| *"' | | %" |
| *" (| | %" |
| + | | %" |
| , | | %" |
| , "% | | %" |
| , "& | | %" |
| , "' | | %" |
| , "(| | %" |
| , ") | | %" |

1

N ! XGJ;

1.1

% % %

| |
|---|
| ¥ |
| ¥ |

% % &

| |
|---|
| ¥ |
| ¥ |

| |
|---|
| ¥ |
| ¥ |
| ¥ |
| ¥ |
| ¥ |

% % '

| |
|---|
| ¥ |
| ¥ |

¥
¥
¥
¥

%'%' (

¥
¥
¥
¥
¥

¥
¥
¥
¥
¥) ()^{c7}

%'%)

¥
¥ '\$
¥

¥

¥
¥
¥

% % *
¥

% % +
¥ N ! XGJ;

N ! XGJ;

2

2.1

%

!% () ž)?#\

&

-\$%f&\$ Ł)%#\ž

3)

,

(Ł

\$\$\$\$a %\$\$\$\$a

)Ł

&<z -<z O\$"' aa

-<z &\$\$<zž

)a#g⁸

ž

*Ł

U

!&\$% ž% %

V

&\$kJ5

2.1

2.2

%

*kJ %kJ ')kJ

&

%-&\$ AJUF

,

- () 0 ag
-) 0 %
- * GJ; 2--%
- + 0%\$\$\$a

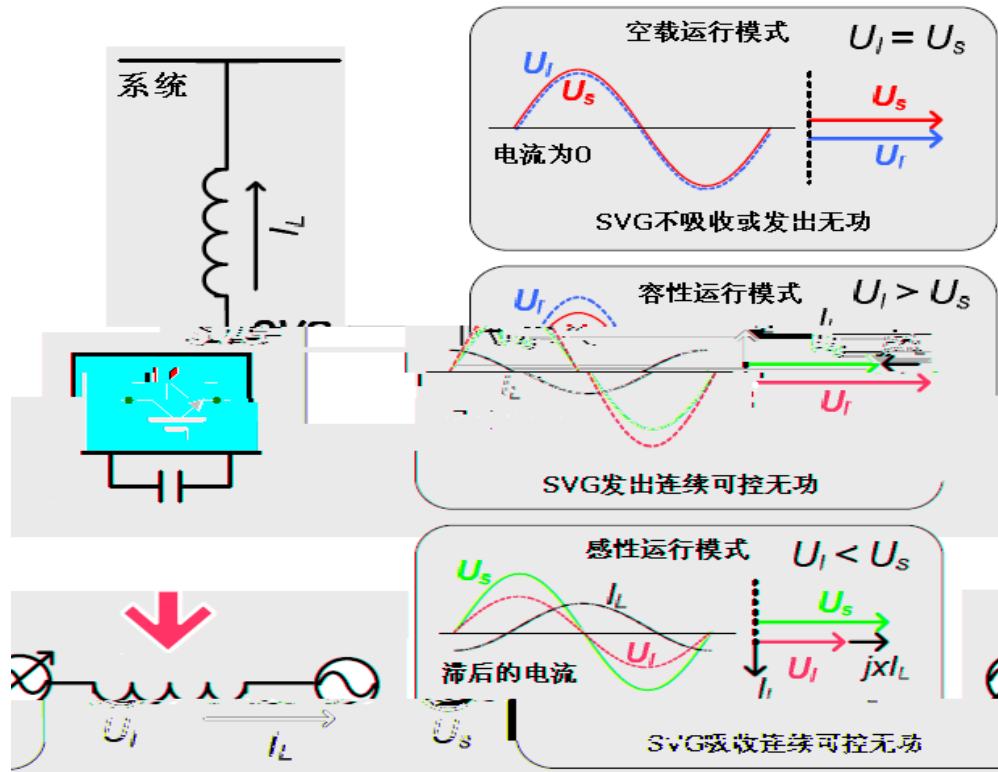
2.3

GJ;

GH7CA

GJ;

& %



& %GJ;

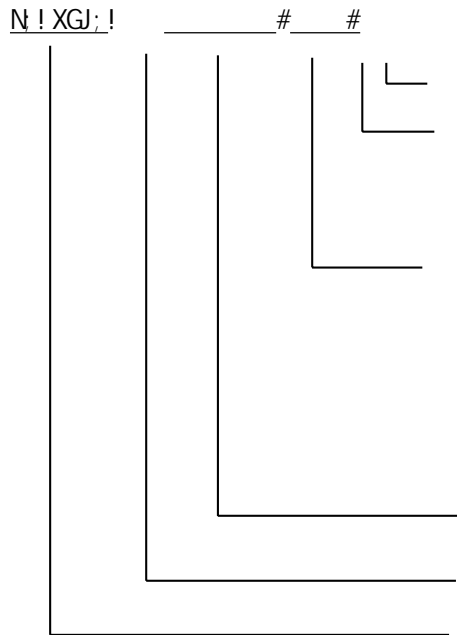
& %

$$I_1 = (U_s - U_1) \div jX_L$$

& %

2.4

N ! XGJ;



5! N \$! -

M

K

\$' ' kJ

\$* *kJ

5\$ %\$kJ

') ')kJ

kJUF

b < b <

%\$kJ

± &\$\$\$kj Uf

%& <

55\$

N ! XGJ; ! %& &\$\$\$#%\$M#55\$

N ! XGJ;

%\$kJ

*\$\$5

*\$\$5

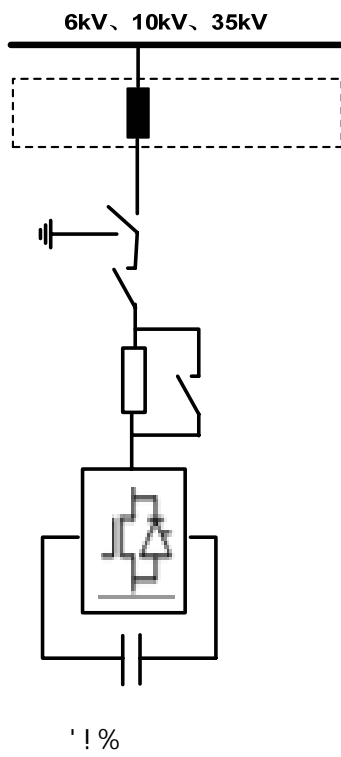
')kJ

N ! XGJ;

3

3.1

N ! XGJ;



N ! XGJ;

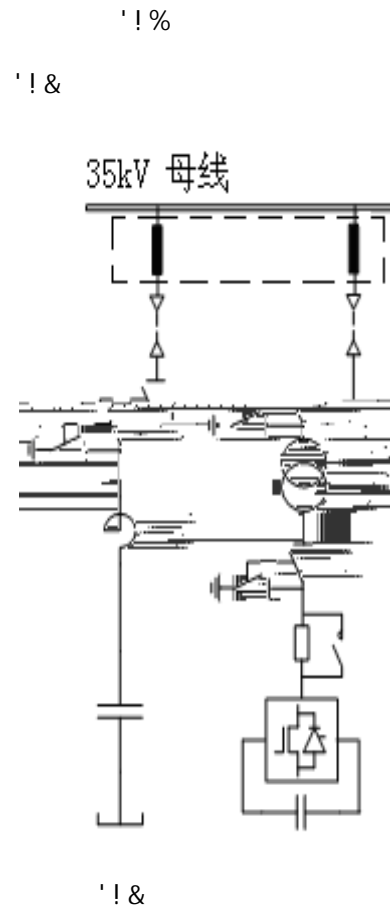
%

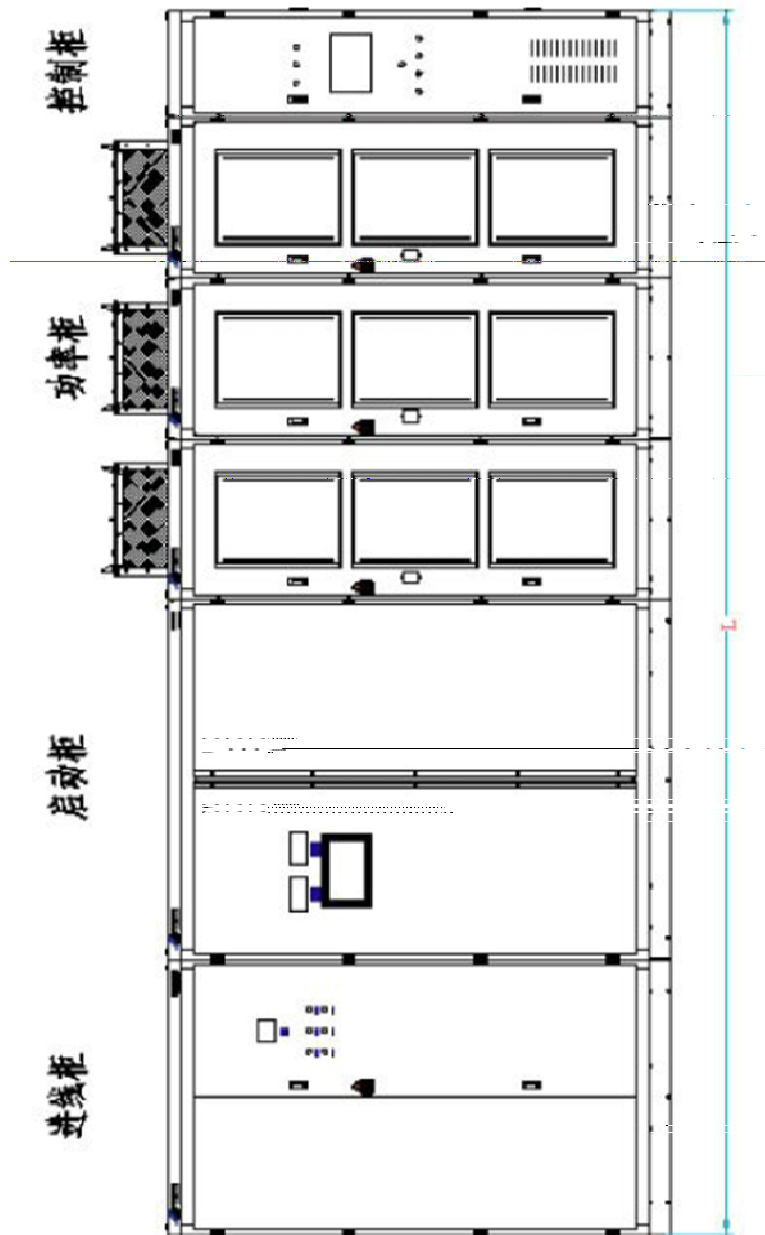
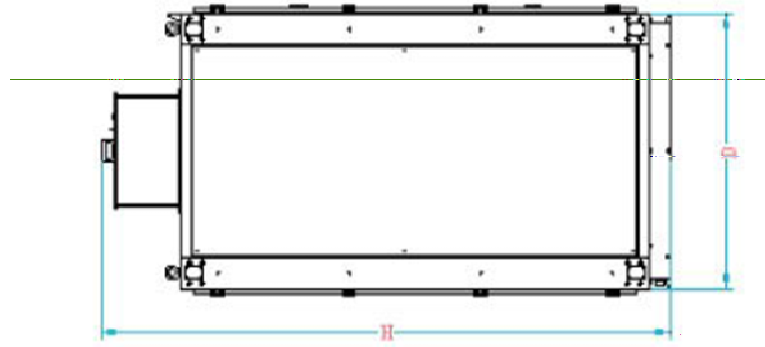
&

,

(

I DG





3-3 6kV 10kV ZG-dSVG

% \$kJ ')kJ

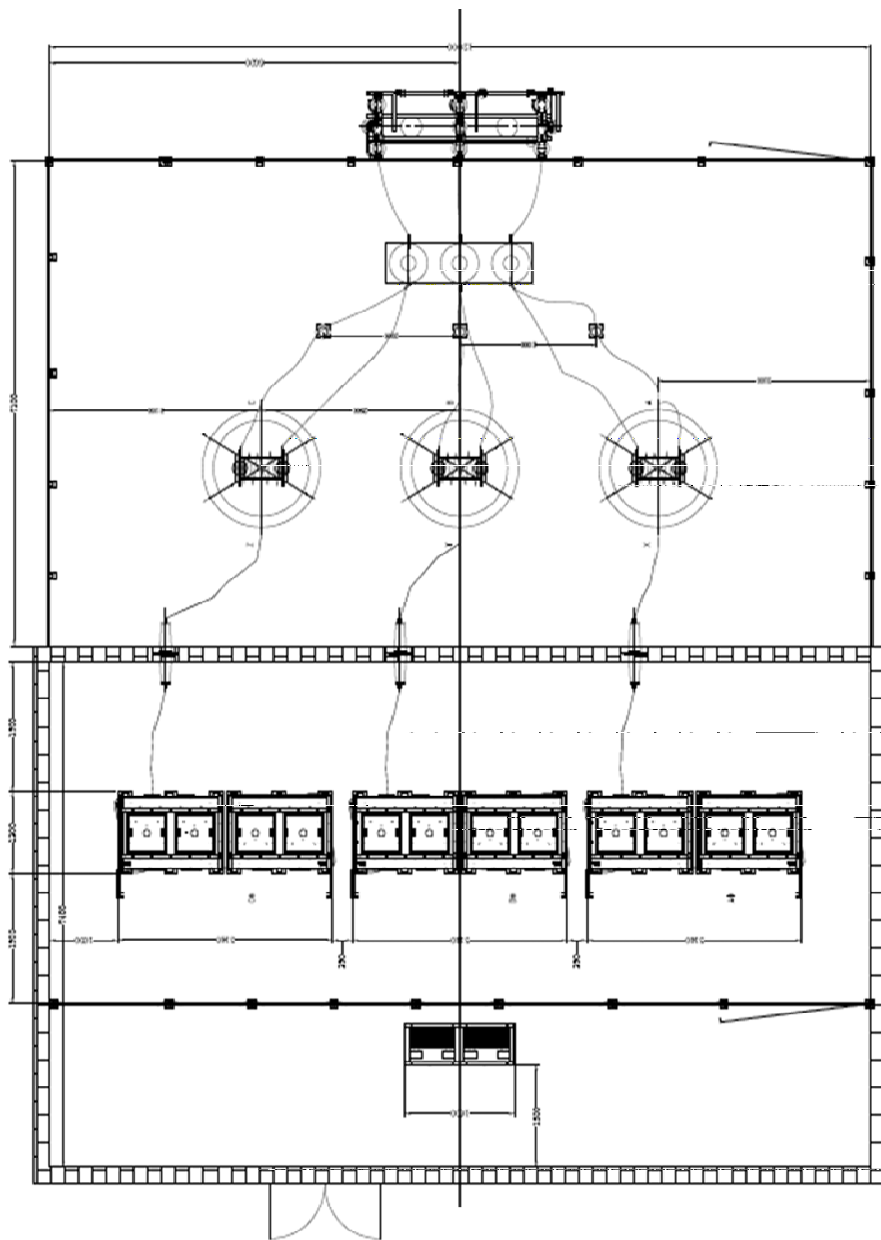
&

' :7

(:7

')kJ N ! XGJ;

' ! (

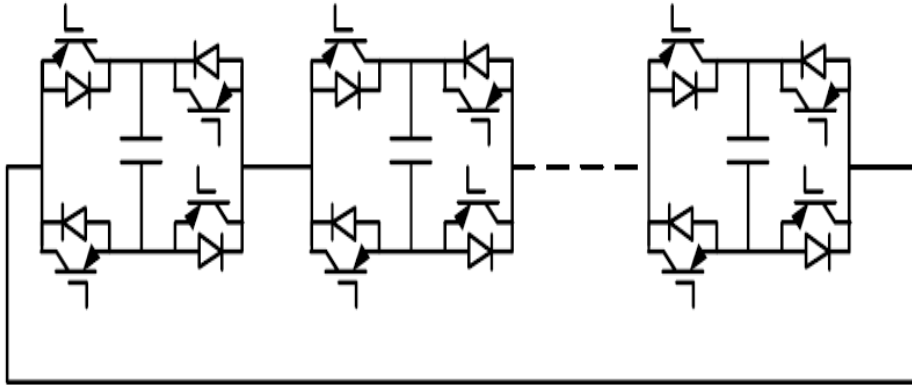


3-4 35kV

ZG-dSVG

3.2

%



'!)

'!)

% N ! XGJ;

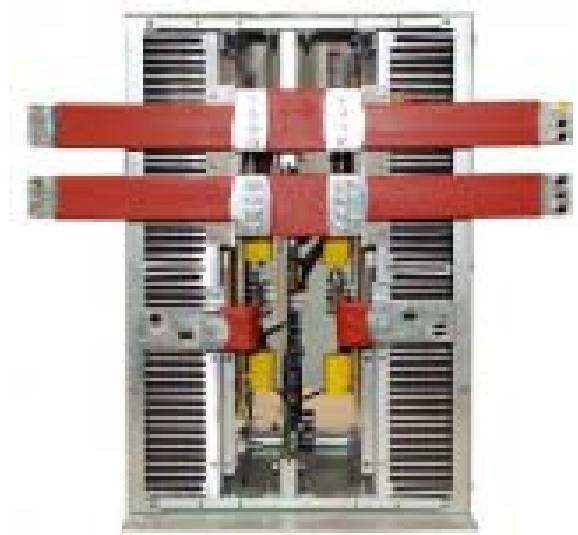
&"

' "

=; 6H

=; 6H

'! * '!' +



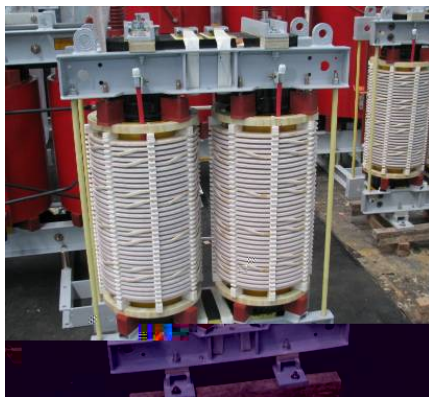
3-6



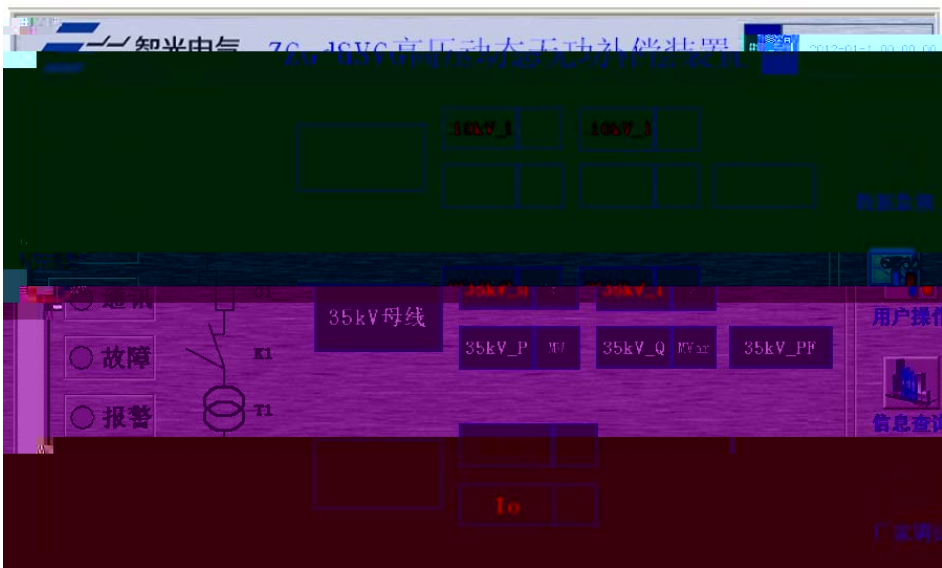
'!+

&

N ! XGJ;



'!,



3-9

U

V

W

X

N ! XGJ;

8GD

: D, 5

GJ;

#

FG& &#FG(,)

75B

F>()

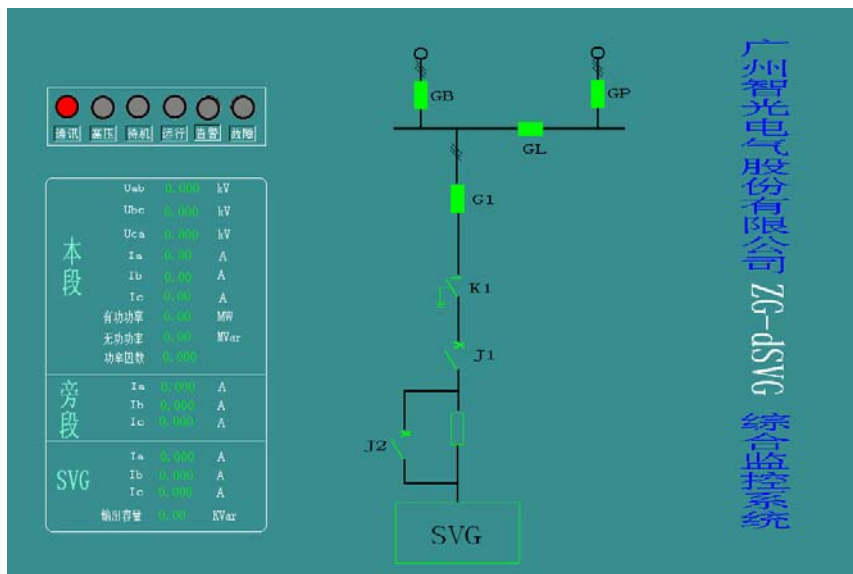
AcXVi g

Df cf] Vi g H7D#=#D =97*%)\$

; DFG

; DFG

4



3-10

%

k] bXckg LD

&

3

1-25

4

6

5

6

7

8

9

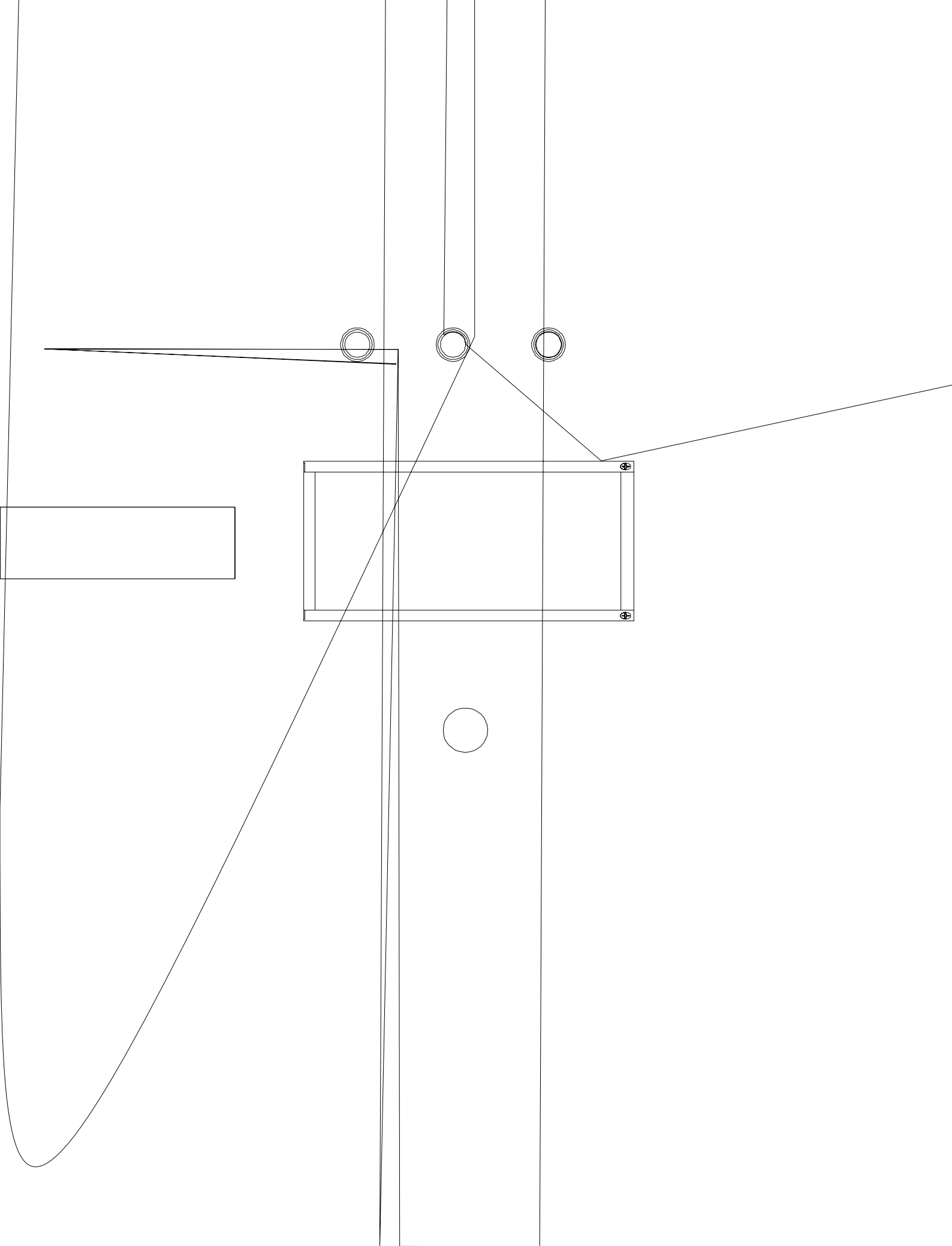
10

11

4

4.1

%



| | | |
|--|---|--|
| | | |
| | | |
| | | |
| | | |
| | | |
| | | |
| | / | |
| | | |
| | | |

4-1

ZG-dSVG

4.3

TPC7063H

TPC7062K

FG(.)

%

&

%

&"

-\$-\$+\$

' "

4"

N ! XGJ;

5

5.1

1. 380V
2. /
- 3.
- 4.
- 5.
- 6.

5.2

1. 380V
- 2.
- 3.
- 4.
- 5.

5.3

- 1.

2.

380V

3.

4.

5.

6.

7.

5.4

1.

2.

3.

4.

3-6

5.

6.

7.

6

!%\$ fl

ł

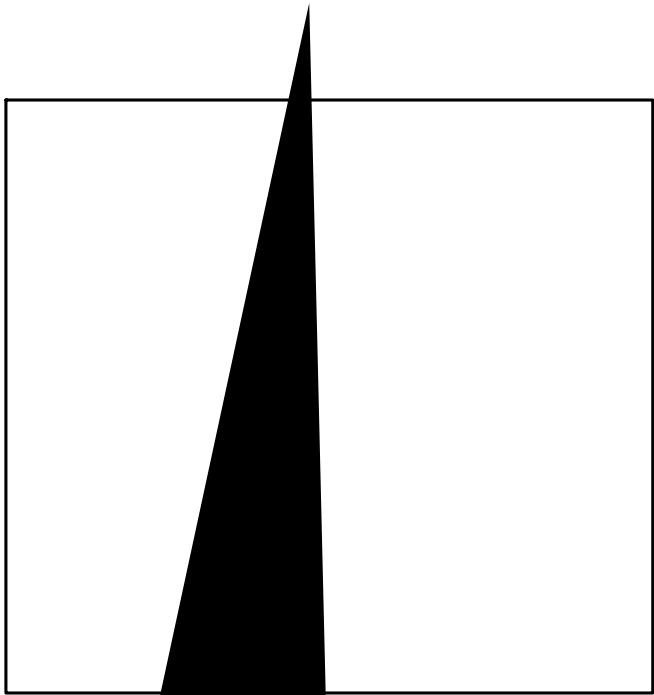
() fl

%\$

ł

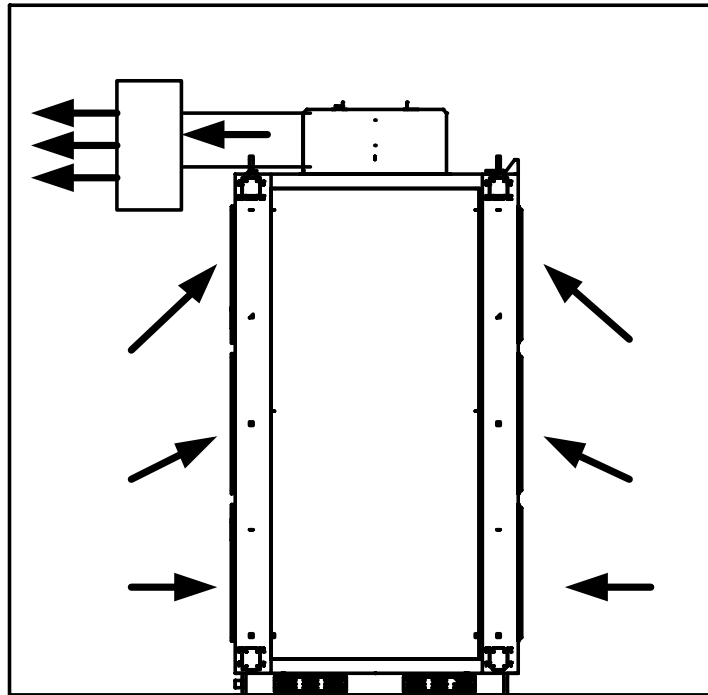
)?#\

6.1



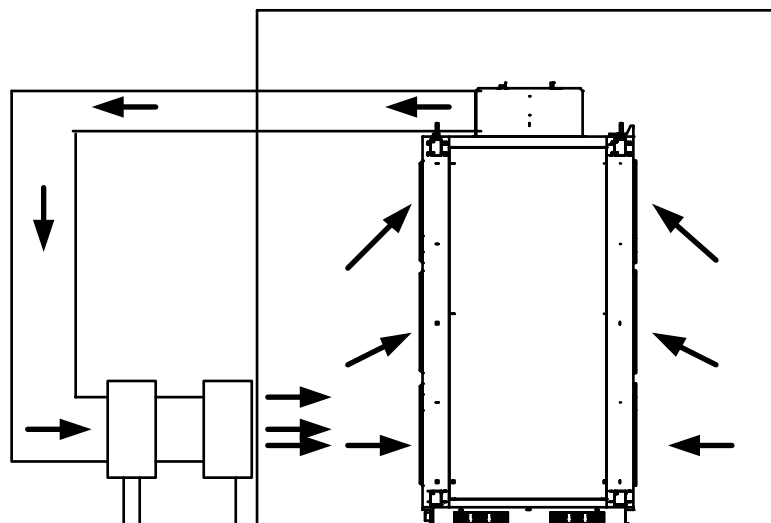
6.3

%



*!'

&



*!(

6.4

$$G1 = \frac{a^*}{5\%} + \frac{a^*}{5\%} \div J \quad *! \%$$

G a*

5% (\$) %

5%)*\$ %

J &a#g

7

N ! XGJ;

+! %

7-1 ZG-dSVG

| | | | |
|---|---|--|--|
| | | | |
| 1 | | 1.IGBT 2. 3. 4. 5. | 1. 2. 3. 4. |
| 2 | | 1. 2. 3. 4. | 1. 2. 3. 4. |
| 3 | | 1. PT 2. 3. 4. 5. 6. 7. | 1. SVG PT 2. 3. 4. 5. 6. |
| 4 | | 1. 2. 3. 4. 5. | 1. 2. 3. 4. 5. |
| 5 | / | 1. 2. 3. 4. 5. | 1. 2. 3. 4. |
| 6 | | 1.PT | 1. |

| | | | |
|----|-----|----------------------------|--------------------------------|
| | | 2. 3. | 2. |
| 7 | 1/2 | 1. 2. 3. 4. | 1. 2. 3. |
| 8 | | 1. 2. 3. 4. | 1. 2. 3. |
| 9 | | 1. 2. 3. 4. | 1. 2. 3. |
| 10 | | 1. 2. 3. | 1. 2. |
| 11 | | 1. 2. | 1. 2. |
| 12 | | 1. 2. 3. 4. | 1. 2. 3. |
| 13 | | 1. UPS 2. 3. 4. | 1. UPS 2. 3. 4. |
| 14 | | | 1. 2. |
| 15 | | 1. 2. 3. PT 4. | 1. 2. 3. PT SVG 4. PT |
| 16 | / / | 1. 2. 3. | 1. 2. 3. |
| 17 | | 1. 2. ± 15V 3. 4. | 1. 2. ± 15V 3. 4. |

+! &

+! & ZG-dSVG

| | | |
|---|---|---|
| | | |
| % | | |
| & | | |
| ' | # | # |
| (| | |
|) | # | # |
| * | | |
| + | # | # |

8

8.1

8.2

1

2

3

4

5

8.5